

PARTS LIST

CAUTION

- The parts identified by the Δ symbol are important for the safety . Whenever replacing these parts, be sure to use specified ones to secure the safety .
- The parts not indicated in this Parts List and those which are filled with lines --- in the Parts No. columns will not be supplied .
- P. W. Board Ass'y will not be supplied, but those which are filled with the Parts No. in the Parts No. columns will be supplied .

ABBREVIATIONS OF RESISTORS, TRANSISTOR, CAPACITORS AND TOLERANCES

RESISTORS		CAPACITORS	
C R	Carbon Resistor	CERA C	Ceramic Capacitor
V R	Variable Resistor	ELECTRO C	Electrolytic Capacitor
		MYLAR C	Mylar Capacitor
TR	Transistor		

TOLERANCES									
F	G	J	K	M	N	R	H	Z	P
$\pm 1\%$	$\pm 2\%$	$\pm 5\%$	$\pm 10\%$	$\pm 20\%$	$\pm 30\%$	+30% -10%	+50% -10%	+80% -20%	+100% 0%

USING PW BOARD & REMOTE CONTROLLER

Model	AV-21JT5EU	AV-21JT5EBU	AV-14JT5EU	AV-14JT5EBU
PB ASSY				
MAIN PWB (with CRT SOCKET PWB)	PTMPMSD616J	PTMPMSD618J	PTMPMSA616J	PTMPMSA618J
REMOTE CONTROLLER	48B00RMC71	←	←	←

PACKING & EXPLODED VIEW PARTS LIST

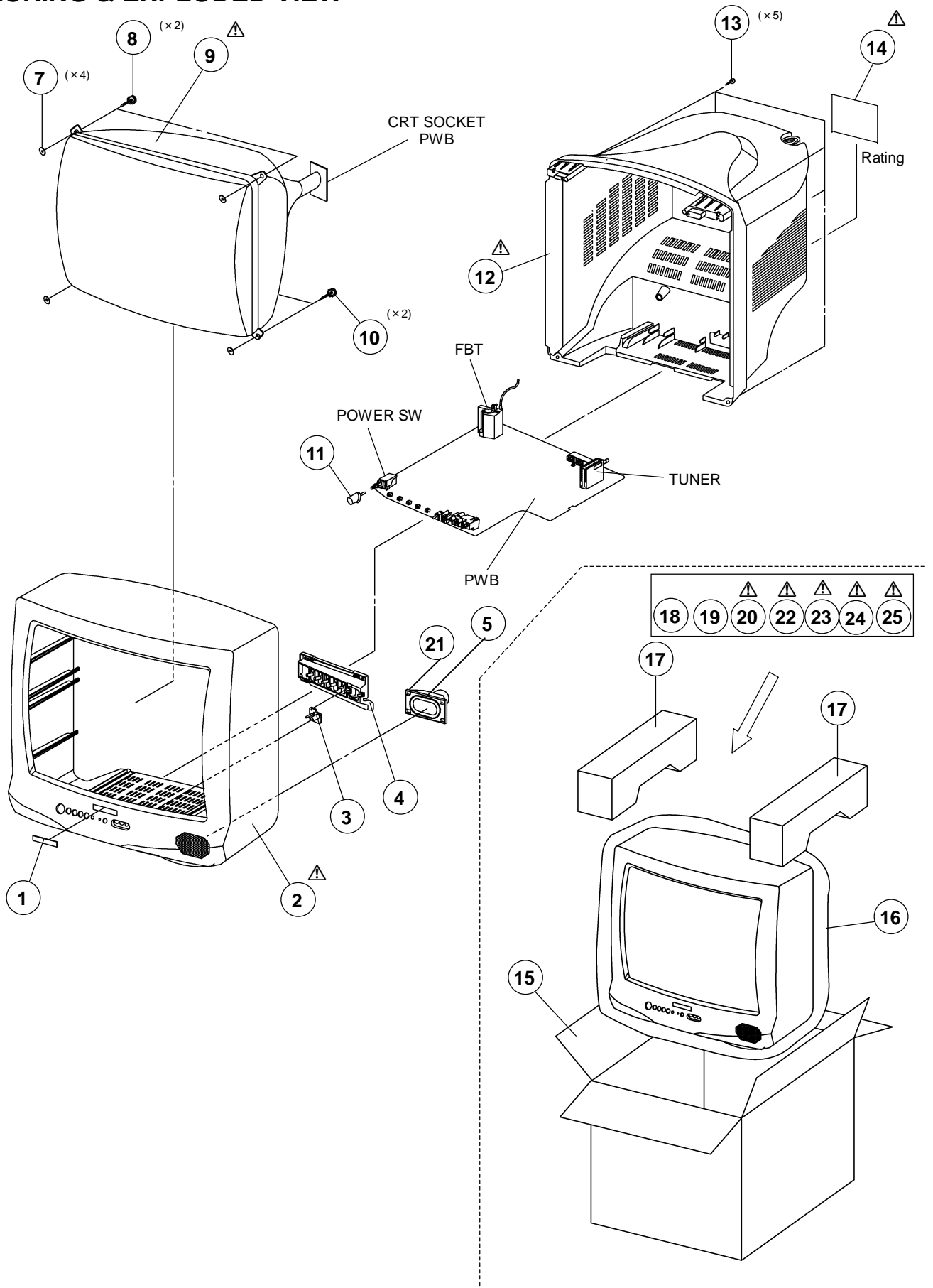
AV-21JT5EU / AV-21JT5EBU

△ Ref.	Part No.	Part Name	Description
1	4855621500	MARK BRAND	AL
△ 2	PTFMSJD616J	MASK FRONT	HIPS BK
3	4855537101	ECO SENSOR	PMMA CL
4	4851932802	BUTTON CTRL	ABS BK
5	4858314010	SPEAKER	3W 8 OHM (×1)
7	4856215402	WASHER RUBBER	CR T2.0 (×4)
8	4856013301	SCREW CRT FIXING	30X140 YL (×2)
△ 9	4859629360C	CRT (with ITC)	A51EFS83X081 (Inc. DY, PC, OTHER)
10	4856013303	SCREW CRT FIXING	30X250 YL (×2)
11	4854940403	BUTTON POWER	ABS BK
△ 12	4852152501	COVER BACK	HIPS BK
13	7172401412	SCREW TAPP TITE	TT2 TRS 4X14 MFZN BK (×5)
△ 14	4855415800	SPEC PLATE(Rating)	150ART P/E FILM (C/TV)
15	GPBJV3V2022	PACKING CASE	
16	4858211801	BAG P. E	L. D. P. E T O. 03X1300X1000
17	4858188101	PAD	
18	4858213800	BAG INSTRUCTION	L. D. P. E T O. 05X250X400
19	48B00RMC71	TRANSMITTER REMOCON	RM-C71
△ 20	GPMJV1V2022	INST BOOK (ENG)	14JT5/21JT5EU
21	7178301212	SCREW TAPPING	(×4)
△ 22	GPMJV1V2122	INST BOOK (GER/FRE/SPA/D UT/ITA)	14JT5/21JT5EU
△ 23	GPMJV1V2222	INST BOOK (FIN/SWE/NOR/D AN/POR)	14JT5/21JT5EU
△ 24	GPMJV1V2322	INST BOOK (POL/CZE/HUN/R OM)	14JT5/21JT5EU
△ 25	GPMJV1V2422	INST BOOK (BUL)	14JT5/21JT5EBU
△	GPWJV1V2022	WARRANTY CARD	
△	4859906210	POWER CORD	
△	58G0000074	COIL DEGAUSSING	

AV-14JT5EU / AV-14JT5EBU

△ Ref.	Part No.	Part Name	Description
1	4855621600	MARK BRAND	AL
△ 2	PTFMSJA616J	MASK FRONT	HIPS BK
3	4855536601	ECO SENSOR	PMMA CL
4	4851933402	BUTTON CTRL	
5	4858314010	SPEAKER	3W 8 OHM (×1)
7	4856215402	WASHER RUBBER	CR T2.0 (×4)
8	4856013300	SCREW CRT FIXING	30X80 BK (×2)
△ 9	4859608640	CRT (with ITC)	A34JLL90X89 (Inc. DY, PC, OTHER)
10	4856013301	SCREW CRT FIXING	30X140 YL (×2)
11	4854940103	BUTTON POWER	ABS BK
△ 12	4852152101	COVER BACK	HIPS BK
13	7172401412	SCREW TAPP TITE	TT2 TRS 4X14 MFZN BK (×5)
△ 14	4855415800	SPEC PLATE(Rating)	150ART P/E FILM (C/TV)
15	GPBJV1V2022	BOX CARTON	SW-2 DTQ-1463FW
16	4858210702	BAG P. E	L. D. P. E T O. 03X1000X900
17	4858187500	PAD	EPS 14V3
18	4858213800	BAG INSTRUCTION	L. D. P. E T O. 05X250X400
19	48B00RMC71	TRANSMITTER REMOCON	RM-C71
△ 20	GPMJV1V2022	INST BOOK (ENG)	14JT5/21JT5
21	7178301011	SCREW TAPPING	(×2)
△ 22	GPMJV1V2122	INST BOOK (GER/FRE/SPA/D UT/ITA)	14JT5/21JT5EU
△ 23	GPMJV1V2222	INST BOOK (FIN/SWE/NOR/D AN/POR)	14JT5/21JT5EU
△ 24	GPMJV1V2322	INST BOOK (POL/CZE/HUN/R UM)	14JT5/21JT5EU
△ 25	GPMJV1V2422	INST BOOK (BUL)	14JT5/21JT5EBU
△	GPWJV1V2022	WARRANTY CARD	
△	4859906210	POWER CORD	
△	58G0000084	COIL DEGAUSSING	
△	4850A03310	ROD ANTENNA	

PACKING & EXPLODED VIEW



AV-21JT5EU / AV-21JT5EBU

■ ELECTRICAL PARTS LIST

△ Symbol No.	Part No.	Part Name	Description
	C103	CEXF1C222V	C ELECTRO 16V RSS 2200MF (13X25) TP
	C301	CEXF1V471C	C ELECTRO 35V RUS 470MF (10X20) TP
	C303	CEXF1E102C	C ELECTRO 25V RUS 1000MF 13X20 TP
	C305	CMXE2A473J	C MYLAR 100V PU 0.047MF J
	C401	CMYE2D184J	C MYLAR 200V 0.18MF J (PU)
△	C404	CMYH3C662H	C MYLAR 1.6KV BUP 6600PF H
	C411	CMYN1J105K	C MYLAR (MKT) 63V 1MF K (7.5MM)
	C421	CEXF2E330V	C ELECTRO 250V RSS 33MF (13X25) TP
	C704	CEXF1C102V	C ELECTRO 16V RSS 1000MF (10X20) TP
△	C801	CL1JB3474K	C LINE ACROSS AC250V 0.47MF U/C/SNDF/SV
	C805	CEYN2G101P	C ELECTRO 400V LHS 100MF
	C807	CEYU3C222J	C MYLAR 1.6KV BCP 2200PF J
△	C809	CH1HFE102M	C CERA AC 4.0KV 1000PF E DG
△	C812	CH1HFE102M	C CERA AC 4.0KV 1000PF E DG
	C814	CCYR3A471K	C CERA 1KV 470PF K 125C
	C815	CEXF2C101V	C ELECTRO 160V RSS 100MF (16X25) TP
	C818	CEXF2C101C	C ELECTRO 160V RUS 100MF (16*25) TP
	C820	CEXF1E102V	C ELECTRO 25V RSS 1000MF (13X20) TP
	C827	CEXF1C222V	C ELECTRO 16V RSS 2200MF (13X25) TP
	C830	CEXF1C471V	C ELECTRO 16V RSS 470MF (10X12.5) TP
	C906	CEXB3D102K	C CERA SEMI 2KV BL(N) 1000PF K (T)
	D404	DDG3-----	DIODE DG3
	D706	DLH2PR----	LED BLOCK LH-2P-R
	D806	DBYW76----	DIODE BYW76
△	F801	5FSCB4022R	FUSE CERA SEMKO F4AH 4A 250V MF51
	I301	1TDA1771--	IC VERTICAL TDA1771
	I601	1TDA7267A-	IC AMP TDA7267A
	I702	1AT24C16PC	IC AT24C16-10PC
	I703	1KA7805---	IC REGULATOR KA7805
	I704	1KRT30----	IC PREAMP KRT30
△	I802	4850M04710	MODULE POWER DPM001T1A
	I805	1STV8131--	IC REGULATOR STV8131
	I901	1TDA6103Q-	IC VIDEO TDA6103Q
	J502	4859109950	JACK PIN BOARD PH-JB-9710A
	L101	58N0000044	COIL VCO TRF-V010
	L402	58H0000052	COIL H-LINEARITY TRL-541B
	L800	58Q0000093	COIL DELAY LINE RS208
△	L801	5PLF24A3--	FILTER LINE LF-24A3
	L805	58C4500079	COIL CHOKE L-45
	M681	4856812001	TIE CABLE NYLON66 DA100
	M721	4857235402	SHIELD CASE SPTH-C TO.25
	Q402	T2SD2499--	TR 2SD2499
△	Q801	T2SK2671--	TR 2SK2671
	R402	RS02Y153JS	R M-OXIDE FILM 2W 15K OHM J SMALL
△	R403	RS02Y229JS	R M-OXIDE FILM 2W 2.2 OHM J SMALL
△	R801	DEC140M290	POSISTOR ECPCC140M290
△	R802	RX07C339JF	R CEMENT 7W 3.3 OHM J 15MM 4P
△	R808	RS02Y828JS	R M-OXIDE FILM 2W 0.82 OHM J SMALL
	R819	RS02Y278JS	R M-OXIDE FILM 2W 0.27 OHM J SMALL
△	RLY1	5SC0101338	SW RELAY DQ5D1-0(M)/GJ-SS-105LM
△	SCT1	4859303530	SOCKET CRT PCS629-03C
	SF101	5PG3962M--	FILTER SAW G-3962-M (AV-21JT5EU)
	SF101	5PK7257M--	FILTER SAW K7257M(AV-21JT5EBU)
	SF102	5PK9650M--	FILTER SAW K9650M
	SJ01	4859200401	SOCKET RGB SR-21A1 (ANGLE TYPE)
△	SW801	5540101146	SW POWER PUSH SS-160-7-B
	T401	50D10A3---	TRANS DRIVE TD-10A3
△	T402	50H0000202	FBT FUY20C001
△	T801	50M4042A5-	TRANS SMPS TSM-4042A5
	U101	4859719930	TUNER VARACTOR DT5-BF18D
	W101	4851900130	GROUND TUNER AS DS-W1015-S
	CC102	HCFK104ZCA	C CHIP CERA 50V Y5V 0.1MF Z 2012
	CC103	HCQK101JCA	C CHIP CERA 50V CH 100PF J 2012
	CC104	HCQK101JCA	C CHIP CERA 50V CH 100PF J 2012
	CC105	HCQK102JCA	C CHIP CERA 50V CH 1000PF J 2012
	CC108	HCFK104ZCA	C CHIP CERA 50V Y5V 0.1MF Z 2012
	CC109	HCFK104ZCA	C CHIP CERA 50V Y5V 0.1MF Z 2012
	CC118	HCBK104KCA	C CHIP CERA 50V X7R 0.1MF K 2012
	CC412	HCQK160JCA	C CHIP CERA 50V CH 16PF J 2012
	CC501	HCQK101JCA	C CHIP CERA 50V CH 100PF J 2012
	CC502	HCFK103ZCA	C CHIP CERA 50V Y5V 0.01MF Z 2012
	CC504	HCFK104ZCA	C CHIP CERA 50V Y5V 0.1MF Z 2012
	CC505	HCBK222KCA	C CHIP CERA 50V X7R 2200PF K 2012
	CC506	HCQK102JCA	C CHIP CERA 50V CH 1000PF J 2012
	CC508	HCBK472KCA	C CHIP CERA 50V X7R 4700PF K 2012
	CC509	HCFK104ZCA	C CHIP CERA 50V Y5V 0.1MF Z 2012
	CC510	HCFK104ZCA	C CHIP CERA 50V Y5V 0.1MF Z 2012
	CC511	HCFK104ZCA	C CHIP CERA 50V Y5V 0.1MF Z 2012
	CC512	HCFK104ZCA	C CHIP CERA 50V Y5V 0.1MF Z 2012
	CC515	HCFK104ZCA	C CHIP CERA 50V Y5V 0.1MF Z 2012
	CC516	HCFK104ZCA	C CHIP CERA 50V Y5V 0.1MF Z 2012
	CC517	HCFK104ZCA	C CHIP CERA 50V Y5V 0.1MF Z 2012
	CC518	HCBK222KCA	C CHIP CERA 50V X7R 2200PF K 2012
	CC519	HCFK334ZCA	C CHIP CERA 50V Y5V 0.33MF Z 2012
	CC520	HCFK104ZCA	C CHIP CERA 50V Y5V 0.1MF Z 2012

△ Symbol	No.	Part No.	Part Name	Description
	CC521	HCBK472KCA	C CHIP CERA	50V X7R 4700PF K 2012
	CC522	HCQK102JCA	C CHIP CERA	50V CH 1000PF J 2012
	CC523	HCQK102JCA	C CHIP CERA	50V CH 1000PF J 2012
	CC524	HCQK102JCA	C CHIP CERA	50V CH 1000PF J 2012
	CC526	HCBK223KCA	C CHIP CERA	50V X7R 0.022MF K 2012
	CC533	HCQK102JCA	C CHIP CERA	50V CH 1000PF J 2012
	CC534	HCQK300JCA	C CHIP CERA	50V CH 30PF J 2012
	CC535	HCQK300JCA	C CHIP CERA	50V CH 30PF J 2012
	CC536	HCQK300JCA	C CHIP CERA	50V CH 30PF J 2012
	CC602	HCQK102JCA	C CHIP CERA	50V CH 1000PF J 2012
	CC603	HCQK102JCA	C CHIP CERA	50V CH 1000PF J 2012
	CC604	HCQK102JCA	C CHIP CERA	50V CH 1000PF J 2012
	CC605	HCQK471JCA	C CHIP CERA	50V CH 470PF J 2012
	CC606	HCQK471JCA	C CHIP CERA	50V CH 470PF J 2012
	CC610	HCQK181JCA	C CHIP CERA	50V CH 180PF J 2012
	CC612	HCQK102JCA	C CHIP CERA	50V CH 1000PF J 2012
	CC613	HCQK102JCA	C CHIP CERA	50V CH 1000PF J 2012
	CC613	HCQK102JCA	C CHIP CERA	50V CH 1000PF J 2012
	CC613	HCQK102JCA	C CHIP CERA	50V CH 1000PF J 2012
	CC701	HCQK104ZCA	C CHIP CERA	50V Y5V 0.1MF Z 2012
	CC702	HCQK820JCA	C CHIP CERA	50V CH 82PF J 2012
	CC705	HCBK472KCA	C CHIP CERA	50V X7R 4700PF K 2012
	CC707	HCQK820JCA	C CHIP CERA	50V CH 82PF J 2012
	CC708	HCBK472KCA	C CHIP CERA	50V X7R 4700PF K 2012
	CC709	HCQK220JCA	C CHIP CERA	50V CH 22PF J 2012
	CC713	HCBK222KCA	C CHIP CERA	50V X7R 2200PF K 2012
	CC722	HCQK102JCA	C CHIP CERA	50V CH 1000PF J 2012
	CC723	HCQK220JCA	C CHIP CERA	50V CH 22PF J 2012
	CC801	HCQK104ZCA	C CHIP CERA	50V Y5V 0.1MF Z 2012
	CC830	HCQK104ZCA	C CHIP CERA	50V Y5V 0.1MF Z 2012
	CC841	HCQK103ZCA	C CHIP CERA	50V Y5V 0.01MF Z 2012
	I501	1STV2238DQ	IC CHIP VIDEO	STV2238D
	I701	1DW195DE5Q	IC CHIP MICOM	DW92195C7T-DE5 (ETR) [AV-21JT5EU]
	I701	1DW195CR3Q	IC CHIP MICOM	DW92195C7T-CR3 (ETP) [AV-21JT5EUBU]
	JC001	HRFT000-CA	R CHIP	1/10 0 OHM 2012
	JC002	HRFT000-CA	R CHIP	1/10 0 OHM 2012
	JC003	HRFT000-CA	R CHIP	1/10 0 OHM 2012
	JC004	HRFT000-CA	R CHIP	1/10 0 OHM 2012
	JC005	HRFT000-CA	R CHIP	1/10 0 OHM 2012
	JC006	HRFT000-CA	R CHIP	1/10 0 OHM 2012
	JC008	HRFT000-CA	R CHIP	1/10 0 OHM 2012
	JC009	HRFT000-CA	R CHIP	1/10 0 OHM 2012
	JC011	HRFT000-CA	R CHIP	1/10 0 OHM 2012
	JC012	HRFT000-CA	R CHIP	1/10 0 OHM 2012
	JC013	HRFT000-CA	R CHIP	1/10 0 OHM 2012
	JC014	HRFT000-CA	R CHIP	1/10 0 OHM 2012
	JC015	HRFT000-CA	R CHIP	1/10 0 OHM 2012
	JC016	HRFT000-CA	R CHIP	1/10 0 OHM 2012
	JC017	HRFT000-CA	R CHIP	1/10 0 OHM 2012
	JC018	HRFT000-CA	R CHIP	1/10 0 OHM 2012
	JC019	HRFT000-CA	R CHIP	1/10 0 OHM 2012
	JC020	HRFT000-CA	R CHIP	1/10 0 OHM 2012
	JC022	HRFT000-CA	R CHIP	1/10 0 OHM 2012
	JC024	HRFT000-CA	R CHIP	1/10 0 OHM 2012
	JC025	HRFT000-CA	R CHIP	1/10 0 OHM 2012
	RC106	HRFT682JCA	R CHIP	1/10 6.8K OHM J 2012
	RC107	HRFT473JCA	R CHIP	1/10 47K OHM J 2012
	RC111	HRFT511JCA	R CHIP	1/10 510 OHM J 2012
	RC114	HRFT432JCA	R CHIP	1/10 4.3K OHM J 2012
	RC115	HRFT102JCA	R CHIP	1/10 1K OHM J 2012
	RC301	HRFT511JCA	R CHIP	1/10 510 OHM J 2012
	RC302	HRFT222JCA	R CHIP	1/10 2.2K OHM J 2012
	RC303	HRFT562JCA	R CHIP	1/10 5.6K OHM J 2012
	RC304	HRFT302JCA	R CHIP	1/10 3K OHM J 2012
	RC306	HRFT472JCA	R CHIP	1/10 4.7K OHM J 2012
	RC307	HRFT562JCA	R CHIP	1/10 5.6K OHM J 2012
	RC308	HRFT332JCA	R CHIP	1/10 3.3K OHM J 2012
	RC309	HRFT154JCA	R CHIP	1/10 150K OHM J 2012
	RC310	HRFT103JCA	R CHIP	1/10 10K OHM J 2012
	RC313	HRFT224JCA	R CHIP	1/10 220K OHM J 2012
	RC404	HRFT561JCA	R CHIP	1/10 560 OHM J 2012
	RC405	HRFT562JCA	R CHIP	1/10 5.6K OHM J 2012
	RC406	HRFT562JCA	R CHIP	1/10 5.6K OHM J 2012
	RC408	HRFT103JCA	R CHIP	1/10 10K OHM J 2012
	RC419	HRFT152JCA	R CHIP	1/10 1.5K OHM J 2012
	RC420	HRFT394JCA	R CHIP	1/10 390K OHM J 2012
	RC501	HRFT750JCA	R CHIP	1/10 75 OHM J 2012
	RC503	HRFT750JCA	R CHIP	1/10 75 OHM J 2012
	RC504	HRFT750JCA	R CHIP	1/10 75 OHM J 2012
	RC505	HRFT750JCA	R CHIP	1/10 75 OHM J 2012
	RC506	HRFT101JCA	R CHIP	1/10 100 OHM J 2012
	RC507	HRFT103JCA	R CHIP	1/10 10K OHM J 2012
	RC508	HRFT473JCA	R CHIP	1/10 47K OHM J 2012
	RC509	HRFT102JCA	R CHIP	1/10 1K OHM J 2012
	RC510	HRFT102JCA	R CHIP	1/10 1K OHM J 2012
	RC511	HRFT470JCA	R CHIP	1/10 47 OHM J 2012
	RC512	HRFT223JCA	R CHIP	1/10 22K OHM J 2012
	RC513	HRFT103JCA	R CHIP	1/10 10K OHM J 2012
	RC514	HRFT151JCA	R CHIP	1/10 150 OHM J 2012
	RC515	HRFT000-CA	R CHIP	1/10 0 OHM 2012
	RC516	HRFT102JCA	R CHIP	1/10 1K OHM J 2012
	RC517	HRFT102JCA	R CHIP	1/10 1K OHM J 2012
	RC518	HRFT101JCA	R CHIP	1/10 100 OHM J 2012
	RC519	HRFT101JCA	R CHIP	1/10 100 OHM J 2012

△ Symbol No.	Part No.	Part Name	Description
RC520	HRFT103JCA	R CHIP	1/10 10K OHM J 2012
RC521	HRFT363JCA	R CHIP	1/10 36K OHM J 2012
RC522	HRFT222JCA	R CHIP	1/10 2.2K OHM J 2012
RC523	HRFT822JCA	R CHIP	1/10 8.2K OHM J 2012
RC524	HRFT103JCA	R CHIP	1/10 10K OHM J 2012
RC525	HRFT153JCA	R CHIP	1/10 15K OHM J 2012
RC526	HRFT273JCA	R CHIP	1/10 27K OHM J 2012
RC527	HRFT473JCA	R CHIP	1/10 47K OHM J 2012
RC528	HRFT221JCA	R CHIP	1/10 220 OHM J 2012
RC529	HRFT101JCA	R CHIP	1/10 100 OHM J 2012
RC530	HRFT101JCA	R CHIP	1/10 100 OHM J 2012
RC531	HRFT101JCA	R CHIP	1/10 100 OHM J 2012
RC532	HRFT273JCA	R CHIP	1/10 27K OHM J 2012
RC534	HRFT334JCA	R CHIP	1/10 330K OHM J 2012
RC535	HRFT184JCA	R CHIP	1/10 180K OHM J 2012
RC537	HRFT103JCA	R CHIP	1/10 10K OHM J 2012
RC538	HRFT223JCA	R CHIP	1/10 22K OHM J 2012
RC539	HRFT122JCA	R CHIP	1/10 1.2K OHM J 2012
RC541	HRFT222JCA	R CHIP	1/10 2.2K OHM J 2012
RC542	HRFT222JCA	R CHIP	1/10 2.2K OHM J 2012
RC543	HRFT222JCA	R CHIP	1/10 2.2K OHM J 2012
RC553	HRFT102JCA	R CHIP	1/10 1K OHM J 2012
RC555	HRFT101JCA	R CHIP	1/10 100 OHM J 2012
RC560	HRFT472JCA	R CHIP	1/10 4.7K OHM J 2012
RC605	HRFT153JCA	R CHIP	1/10 15K OHM J 2012
RC606	HRFT153JCA	R CHIP	1/10 15K OHM J 2012
RC610	HRFT102JCA	R CHIP	1/10 1K OHM J 2012
RC611	HRFT152JCA	R CHIP	1/10 1.5K OHM J 2012
RC620	HRFT101JCA	R CHIP	1/10 100 OHM J 2012
RC621	HRFT104JCA	R CHIP	1/10 100K OHM J 2012
RC623	HRFT103JCA	R CHIP	1/10 10K OHM J 2012
RC630	HRFT102JCA	R CHIP	1/10 1K OHM J 2012
RC702	HRFT102JCA	R CHIP	1/10 1K OHM J 2012
RC703	HRFT102JCA	R CHIP	1/10 1K OHM J 2012
RC704	HRFT562JCA	R CHIP	1/10 5.6K OHM J 2012
RC705	HRFT153JCA	R CHIP	1/10 15K OHM J 2012
RC706	HRFT562JCA	R CHIP	1/10 5.6K OHM J 2012
RC707	HRFT101JCA	R CHIP	1/10 100 OHM J 2012
RC708	HRFT102JCA	R CHIP	1/10 1K OHM J 2012
RC709	HRFT222JCA	R CHIP	1/10 2.2K OHM J 2012
RC710	HRFT222JCA	R CHIP	1/10 2.2K OHM J 2012
RC711	HRFT222JCA	R CHIP	1/10 2.2K OHM J 2012
RC712	HRFT101JCA	R CHIP	1/10 100 OHM J 2012
RC713	HRFT101JCA	R CHIP	1/10 100 OHM J 2012
RC714	HRFT102JCA	R CHIP	1/10 1K OHM J 2012
RC715	HRFT152JCA	R CHIP	1/10 1.5K OHM J 2012
RC716	HRFT392JCA	R CHIP	1/10 3.9K OHM J 2012
RC717	HRFT153JCA	R CHIP	1/10 15K OHM J 2012
RC719	HRFT332JCA	R CHIP	1/10 3.3K OHM J 2012
RC720	HRFT271JCA	R CHIP	1/10 270 OHM J 2012
RC721	HRFT102JCA	R CHIP	1/10 1K OHM J 2012
RC722	HRFT332JCA	R CHIP	1/10 3.3K OHM J 2012
RC723	HRFT624JCA	R CHIP	1/10 620K OHM J 2012
RC725	HRFT471JCA	R CHIP	1/10 470 OHM J 2012
RC726	HRFT103JCA	R CHIP	1/10 10K OHM J 2012
RC727	HRFT103JCA	R CHIP	1/10 10K OHM J 2012
RC729	HRFT101JCA	R CHIP	1/10 100 OHM J 2012
RC730	HRFT332JCA	R CHIP	1/10 3.3K OHM J 2012
RC731	HRFT100JCA	R CHIP	1/10 10 OHM J 2012
RC732	HRFT000-CA	R CHIP	1/10 0 OHM 2012
RC733	HRFT101JCA	R CHIP	1/10 100 OHM J 2012
RC736	HRFT102JCA	R CHIP	1/10 1K OHM J 2012
RC738	HRFT101JCA	R CHIP	1/10 100 OHM J 2012
RC751	HRFT103JCA	R CHIP	1/10 10K OHM J 2012
RC752	HRFT682JCA	R CHIP	1/10 6.8K OHM J 2012
RC754	HRFT333JCA	R CHIP	1/10 33K OHM J 2012
RC755	HRFT473JCA	R CHIP	1/10 47K OHM J 2012
RC822	HRFT273JCA	R CHIP	1/10 27K OHM J 2012
RC828	HRFT102JCA	R CHIP	1/10 1K OHM J 2012
RC829	HRFT102JCA	R CHIP	1/10 1K OHM J 2012
RC901	HRFT272JCA	R CHIP	1/10 2.7K OHM J 2012
RC902	HRFT272JCA	R CHIP	1/10 2.7K OHM J 2012
RC903	HRFT272JCA	R CHIP	1/10 2.7K OHM J 2012
RC904	HRFT272JCA	R CHIP	1/10 2.7K OHM J 2012
RC905	HRFT272JCA	R CHIP	1/10 2.7K OHM J 2012
RC906	HRFT272JCA	R CHIP	1/10 2.7K OHM J 2012
RC907	HRFT272JCA	R CHIP	1/10 2.7K OHM J 2012
C101	CEXF1H109V	C ELECTRO	50V RSS 1MF (5X11) TP
C102	CEXF1H479V	C ELECTRO	50V RSS 4.7MF (5*11) TP
C302	CCXB3A471K	C CERA	1KV B 470PF K (T)
C304	CEXF1H100V	C ELECTRO	50V RSS 10MF (5X11) TP
C306	CEXF1V101C	C ELECTRO	35V RUS 100MF (8X11.5) TP
C307	CMXM2A224J	C MYLAR	100V 0.22MF J BULK
C313	CEXF1H109V	C ELECTRO	50V RSS 1MF (5X11) TP
C402	CEXF2C109C	C ELECTRO	160V RUS 1MF (6.3*11)TP
C406	CCXB2H102K	C CERA	500V B 1000PF K (TAPPING)
C407	CCXB2H561K	C CERA	500V B 560PF K (TAPPING)
C410	CMXM2A104J	C MYLAR	100V 0.1MF J TP
C420	CEXF1C470V	C ELECTRO	16V RSS 47MF (5X11) TP
C501	CEXF1H478V	C ELECTRO	50V RSS 0.47MF (5X11) TP
C502	CEXF1H109V	C ELECTRO	50V RSS 1MF (5X11) TP
C503	CEXF1C470V	C ELECTRO	16V RSS 47MF (5X11) TP

△ Symbol No.	Part No.	Part Name	Description
C504	CEXD1H229F	C ELECTRO	50V RND 2.2MF (5X11) TP
C506	CEXD1H229F	C ELECTRO	50V RND 2.2MF (5X11) TP
C507	CEXF1C101V	C ELECTRO	16V RSS 100MF (6.3X11) TP
C511	CEXF1C470V	C ELECTRO	16V RSS 47MF (5X11) TP
C512	CEXF1H109V	C ELECTRO	50V RSS 1MF (5X11) TP
C513	CEXF1H100V	C ELECTRO	50V RSS 10MF (5X11) TP
C514	CEXF1H109V	C ELECTRO	50V RSS 1MF (5X11) TP
C515	CEXF1H109V	C ELECTRO	50V RSS 1MF (5X11) TP
C516	CEXF1H109V	C ELECTRO	50V RSS 1MF (5X11) TP
C517	CEXF1H109V	C ELECTRO	50V RSS 1MF (5X11) TP
C520	CEXF1C470V	C ELECTRO	16V RSS 47MF (5X11) TP
C522	CEXF1C470V	C ELECTRO	16V RSS 47MF (5X11) TP
C523	CEXF1H109V	C ELECTRO	50V RSS 1MF (5X11) TP
C524	CEXF1H109V	C ELECTRO	50V RSS 1MF (5X11) TP
C601	CEXF1C470V	C ELECTRO	16V RSS 47MF (5X11) TP
C602	CEXF1H108A	C ELECTRO	50V RSM 0.1MF 4X7
C606	CEXF1C101V	C ELECTRO	16V RSS 100MF (6.3X11) TP
C611	CEXF1C470V	C ELECTRO	16V RSS 47MF (5X11) TP
C620	CEXF1H100V	C ELECTRO	50V RSS 10MF (5X11) TP
C702	CEXF1H109V	C ELECTRO	50V RSS 1MF (5X11) TP
C703	CEXF1C470V	C ELECTRO	16V RSS 47MF (5X11) TP
C706	CEXF1H478V	C ELECTRO	50V RSS 0.47MF (5X11) TP
C803	CCXF3A472Z	C CERA	1KV F 4700PF Z (T)
C804	CCXF3A472Z	C CERA	1KV F 4700PF Z (T)
C816	CCXB3A471K	C CERA	1KV B 470PF K (T)
C819	CEXF2A100V	C ELECTRO	100V RSS 10MF (6.3X11) TP
C822	CEXF1C101V	C ELECTRO	16V RSS 100MF (6.3X11) TP
C823	CCXB3A471K	C CERA	1KV B 470PF K (T)
C824	CCXB3A471K	C CERA	1KV B 470PF K (T)
C825	CEXF1H220V	C ELECTRO	50V RSS 22MF (5X11) TP
C826	CEXF1H479V	C ELECTRO	50V RSS 4.7MF (5*11) TP
C828	CEXF1C101V	C ELECTRO	16V RSS 100MF (6.3X11) TP
C829	CEXF1H100V	C ELECTRO	50V RSS 10MF (5X11) TP
C842	CCXB3A102K	C CERA	1KV B 1000PF K (TAPPING)
C850	CEXF1C470V	C ELECTRO	16V RSS 47MF (5X11) TP
C902	CMXL2E104K	C MYLAR	250V 0.1MF K MEU TP
C905	CMXL2E104K	C MYLAR	250V 0.1MF K MEU TP
F801A	4857415001	CLIP FUSE	PFC5000-0702
F801B	4857415001	CLIP FUSE	PFC5000-0702
Q105	T2SC5343Y-	TR	2SC5343Y
Q401	TKTC3207--	TR	KTC3207
Q501	T2SC5343Y-	TR	2SC5343Y
Q502	T2SC5343Y-	TR	2SC5343Y
Q503	TSTA933Y--	TR	STA933-Y
Q505	TSTA933Y--	TR	STA933-Y
Q506	T2SC5343Y-	TR	2SC5343Y
Q601	T2SC5343Y-	TR	2SC5343Y
Q620	TSTA933Y--	TR	STA933-Y
Q701	TSTA933Y--	TR	STA933-Y
Q702	T2SC5343Y-	TR	2SC5343Y
Q703	T2SC5343Y-	TR	2SC5343Y
Q704	T2SC5343Y-	TR	2SC5343Y
Q705	T2SC5343Y-	TR	2SC5343Y
Q710	T2SC5343Y-	TR	2SC5343Y
Q802	TKSA1013Y-	TR	KSA1013Y
△ R302	RN02B229JS	R METAL FILM	2W 2.2 OHM J SMALL
R303	RN02B271JS	R METAL FILM	2W 270 OHM J SMALL
R307	RN02B181JS	R METAL FILM	2W 180 OHM J SMALL
R308	RN02B181JS	R METAL FILM	2W 180 OHM J SMALL
R309	RN02B181JS	R METAL FILM	2W 180 OHM J SMALL
R310	RN02B181JS	R METAL FILM	2W 180 OHM J SMALL
R401	RN01B272JS	R METAL FILM	1W 2.7K OHM J SMALL
R410	RN02B132JS	R METAL FILM	2W 1.3K OHM J SMALL
R503	RN01B300JS	R METAL FILM	1W 30 OHM J SMALL
△ R850	RN02B180JS	R METAL FILM	2W 18 OHM J SMALL
R901	RN01B124JS	R METAL FILM	1W 120K OHM J SMALL
R902	RN01B124JS	R METAL FILM	1W 120K OHM J SMALL
R903	RN01B124JS	R METAL FILM	1W 120K OHM J SMALL
SW701	5S50101090	SW TACT	SKHV17910A
SW702	5S50101090	SW TACT	SKHV17910A
SW703	5S50101090	SW TACT	SKHV17910A
SW704	5S50101090	SW TACT	SKHV17910A
SW705	5S50101090	SW TACT	SKHV17910A
X501	5XEX4R433B	CRYSTAL QUARTZ	HC-49U 4.43361M 15PPM TP
X502	5XEX3R579B	CRYSTAL QUARTZ	HC-49U 3.57954M 15PPM TP
X701	5XEX4R000C	CRYSTAL QUARTZ	HC-49U 4.0000MHZ 20PPM TA
D101	D1N4148---	DIODE	1N4148 (TAPPING)
D103	D1SS85TA--	DIODE	1SS85TA
D105	DUZ33B----	DIODE ZENER	UZ-33B
D106	D1N4148---	DIODE	1N4148 (TAPPING)
D107	DTZX5V1B--	DIODE ZENER	TZX5V1B (TAPPING)
D301	NBYD33GT--	DIODE	BYD33G-T
D302	DBZX55C62-	DIODE ZENER	BZX55C62
D303	NBYD33GT--	DIODE	BYD33G-T
D304	85801065GY	WIRE COPPER	AWG22 1/0.65 TIN COATING
D402	NBYD33GT--	DIODE	BYD33G-T
D403	NBYD33GT--	DIODE	BYD33G-T
D410	DTZX5V1B--	DIODE ZENER	TZX5V1B (TAPPING)
D450	D1N4148---	DIODE	1N4148 (TAPPING)
D452	D1N4148---	DIODE	1N4148 (TAPPING)
D501	DTZX5V6B--	DIODE ZENER	TZX5V6B (TAPPING)
D502	DTZX5V6B--	DIODE ZENER	TZX5V6B (TAPPING)

△ Symbol No.	Part No.	Part Name	Description
D503	DTZX5V6B--	DIODE ZENER	TZX5V6B (TAPPING)
D504	DTZX5V6B--	DIODE ZENER	TZX5V6B (TAPPING)
D505	DTZX5V6B--	DIODE ZENER	TZX5V6B (TAPPING)
D506	DTZX5V6B--	DIODE ZENER	TZX5V6B (TAPPING)
D507	DTZX5V6B--	DIODE ZENER	TZX5V6B (TAPPING)
D508	D1N4148---	DIODE	1N4148 (TAPPING)
D509	D1N4148---	DIODE	1N4148 (TAPPING)
D510	DTZX5V1B--	DIODE ZENER	TZX5V1B (TAPPING)
D512	D1N4148---	DIODE	1N4148 (TAPPING)
D513	D1N4148---	DIODE	1N4148 (TAPPING)
D514	D1N4148---	DIODE	1N4148 (TAPPING)
D602	DTZX5V6B--	DIODE ZENER	TZX5V6B (TAPPING)
D610	D1N4148---	DIODE	1N4148 (TAPPING)
D620	D1N4148---	DIODE	1N4148 (TAPPING)
D701	DTZX3V9B--	DIODE ZENER	TZX3V9B
D704	85801065GY	WIRE COPPER	AWG22 1/0.65 TIN COATING
D720	D1N4148---	DIODE	1N4148 (TAPPING)
D808	DBYW34----	DIODE	BYW34 (TAPPING)
D810	DBYW34----	DIODE	BYW34 (TAPPING)
D812	DBYW34----	DIODE	BYW34 (TAPPING)
D816	DMTZJ10B--	DIODE ZENER	MTZJ 10B (TAPPING)
D820	D1N4148---	DIODE	1N4148 (TAPPING)
D835	DR2M-----	DIODE ZENER	R2M
D837	DLT2A05G--	DIODE	LT2A05G
D838	DLT2A05G--	DIODE	LT2A05G
D839	DLT2A05G--	DIODE	LT2A05G
D840	DLT2A05G--	DIODE	LT2A05G
J046	RD-4Z101J-	R CARBON FILM	1/4 100 OHM J
L301	5CPZ100K04	COIL PEAKING	10UH 10.5MM K (LAL04TB)
L511	5CPZ100K02	COIL PEAKING	10UH 3.5MM K(LAL02TB)
L601	5CPZ109M02	COIL PEAKING	1UH 3.5MM M(LAL02TB)
L602	5CPZ109M02	COIL PEAKING	1UH 3.5MM M(LAL02TB)
L603	85801065GY	WIRE COPPER	AWG22 1/0.65 TIN COATING
L604	5CPZ109M02	COIL PEAKING	1UH 3.5MM M(LAL02TB)
L606	85801065GY	WIRE COPPER	AWG22 1/0.65 TIN COATING
L701	5CPZ100K02	COIL PEAKING	10UH 3.5MM K(LAL02TB)
L702	5CPZ569K02	COIL PEAKING	5.6UH 3.5MM K (LAL02TB)
L802	5MC0000100	COIL BEAD	MD-5 (HC-3550)
L803	5MC0000100	COIL BEAD	MD-5 (HC-3550)
L806	5CPZ390K04	COIL PEAKING	39UH 10.5MM K (LAL04TB)
R101	RD-4Z242J-	R CARBON FILM	1/4 2.4K OHM J
R109	RD-4Z183J-	R CARBON FILM	1/4 18K OHM J
R110	RD-4Z102J-	R CARBON FILM	1/4 1K OHM J
R111	RD-4Z101J-	R CARBON FILM	1/4 100 OHM J
R120	RD-4Z101J-	R CARBON FILM	1/4 100 OHM J
R301	RD-2Z249J-	R CARBON FILM	1/2 2.4 OHM J
R406	RD-2Z472J-	R CARBON FILM	1/2 4.7K OHM J
R407	RD-4Z102J-	R CARBON FILM	1/4 1K OHM J
R408	RD-4Z102J-	R CARBON FILM	1/4 1K OHM J
R409	RD-4Z561J-	R CARBON FILM	1/4 560 OHM J
R501	RD-4Z101J-	R CARBON FILM	1/4 100 OHM J
R502	RD-4Z101J-	R CARBON FILM	1/4 100 OHM J
R512	RD-4Z750J-	R CARBON FILM	1/4 75 OHM J
R521	RD-4Z101J-	R CARBON FILM	1/4 100 OHM J
R525	RD-4Z104J-	R CARBON FILM	1/4 100K OHM J
R526	RD-4Z102J-	R CARBON FILM	1/4 1K OHM J
R532	RD-4Z101J-	R CARBON FILM	1/4 100 OHM J
R601	RD-2Z102J-	R CARBON FILM	1/2 1K OHM J
R602	RD-4Z471J-	R CARBON FILM	1/4 470 OHM J
R611	RD-4Z362J-	R CARBON FILM	1/4 3.6K OHM J
R715	RD-4Z102J-	R CARBON FILM	1/4 1K OHM J
R723	RD-4Z332J-	R CARBON FILM	1/4 3.3K OHM J
R735	RD-4Z103J-	R CARBON FILM	1/4 10K OHM J
R736	RD-4Z224J-	R CARBON FILM	1/4 220K OHM J
R753	RD-4Z473J-	R CARBON FILM	1/4 47K OHM J
R803	RD-4Z514J-	R CARBON FILM	1/4 510K OHM J
R804	RD-4Z514J-	R CARBON FILM	1/4 510K OHM J
R805	85801065GY	WIRE COPPER	AWG22 1/0.65 TIN COATING
R806	RD-4Z363J-	R CARBON FILM	1/4 36K OHM J
R809	RD-4Z363J-	R CARBON FILM	1/4 36K OHM J
R810	RD-4Z333J-	R CARBON FILM	1/4 33K OHM J
△ R812	RC-2Z825KP	R CARBON COMP	1/2 8.2M OHM K
R823	RD-4Z101J-	R CARBON FILM	1/4 100 OHM J
R824	RD-4Z101J-	R CARBON FILM	1/4 100 OHM J
R834	RD-4Z392J-	R CARBON FILM	1/4 3.9K OHM J
△ R890	RC-2Z335KP	R CARBON COMP	1/2 3.3M OHM K
R910	RC-2Z152K-	R CARBON COMP	1/2 1.5K OHM K
R911	RC-2Z152K-	R CARBON COMP	1/2 1.5K OHM K
R912	RC-2Z152K-	R CARBON COMP	1/2 1.5K OHM K

AV-14JT5EU / AV-14JT5EUBU

■ ELECTRICAL PARTS LIST

△ Symbol No.	Part No.	Part Name	Description
	C103	CEXF1C222V	C ELECTRO 16V RSS 2200MF (13X25) TP
	C301	CEXF1V471C	C ELECTRO 35V RUS 470MF (10X20) TP
	C303	CEXF1E102C	C ELECTRO 25V RUS 1000MF 13X20 TP
	C305	CMXE2A473J	C MYLAR 100V PU 0.047MF J
	C401	CMYE2D364J	C MYLAR 200V 0.36MF J (PL)
△	C404	CMYH3C692J	C MYLAR 1.6KV 6900PF J (BUP)
	C411	CMYN1J105K	C MYLAR (MKT) 63V 1MF K (7.5MM)
	C421	CEXF2E330V	C ELECTRO 250V RSS 33MF (13X25) TP
	C704	CEXF1C102V	C ELECTRO 16V RSS 1000MF (10X20) TP
△	C801	CL1JB3474K	C LINE ACROSS AC250V 0.47MF U/C/SNDF/SV
	C805	CEYN2G101P	C ELECTRO 400V LHS 100MF
	C807	CMYU3C222J	C MYLAR 1.6KV BCP 2200PF J
△	C809	CH1HFE102M	C CERA AC 4.0KV 1000PF E DG
△	C812	CH1HFE102M	C CERA AC 4.0KV 1000PF E DG
	C814	CCYR3A471K	C CERA 1KV 470PF K 125C
	C815	CEXF2C101V	C ELECTRO 160V RSS 100MF (16X25) TP
	C818	CEXF2C101C	C ELECTRO 160V RUS 100MF (16*25) TP
	C820	CEXF1E102V	C ELECTRO 25V RSS 1000MF (13X20) TP
	C827	CEXF1C222V	C ELECTRO 16V RSS 2200MF (13X25) TP
	C830	CEXF1C471V	C ELECTRO 16V RSS 470MF (10X12.5) TP
	C906	CBXB3D102K	C CERA SEMI 2KV BL(N) 1000PF K (T)
	D404	DDG3-----	DIODE DG3
	D706	DLH2PR----	LED BLOCK LH-2P-R
	D806	DBYW76----	DIODE BYW76
△	F801	5FSCB4022R	FUSE CERA SEMKO F4AH 4A 250V MF51
	I301	1TDA1771--	IC VERTICAL TDA1771
	I601	1TDA7267A-	IC AMP TDA7267A
	I702	1AT24C16PC	IC AT24C16-10PC
	I703	1KA7805---	IC REGULATOR KA7805
	I704	1KRT30----	IC PREAMP KRT30
△	I802	4850M04710	MODULE POWER DPM001T1A
	I805	1STV8131--	IC REGULATOR STV8131
	I901	1TDA6103Q-	IC VIDEO TDA6103Q
	J502	4859109950	JACK PIN BOARD PH-JB-9710A
	L101	58N0000044	COIL VCO TRF-V010
	L800	58Q0000093	COIL DELAY LINE RS208
△	L801	5PLF24A3--	FILTER LINE LF-24A3
	L805	58C4500079	COIL CHOKE L-45
	M681	4856812001	TIE CABLE NYLON66 DA100
	M721	4857235402	SHIELD CASE SPTH-C TO.25
	Q402	T2SD2499--	TR 2SD2499
△	Q801	T2SK2671--	TR 2SK2671
	R402	RS02Y153J5	R M-OXIDE FILM 2W 15K OHM J SMALL
△	R403	RS02Y439J5	R M-OXIDE FILM 2W 4.3 OHM J SMALL
△	R801	DEC140M290	POSISTOR ECPCC140M290
△	R802	RX07C339JF	R CEMENT 7W 3.3 OHM J 15MM 4P
△	R808	RS02Y828J5	R M-OXIDE FILM 2W 0.82 OHM J SMALL
	R819	RS02Y278J5	R M-OXIDE FILM 2W 0.27 OHM J SMALL
△	RLY1	5SC0101338	SW RELAY DQ5D1-0(M)/GJ-SS-105LM
△	SCT1	4859303430	SOCKET CRT PCS633A
	SF101	5PG3962M--	FILTER SAW G 3962-M(AV-14JT5EU)
	SF101	5PK7257M--	FILTER SAW K7257M(AV-14JT5EUBU)
	SF102	5PK9650M--	FILTER SAW K9650M
	SJ01	4859200401	SOCKET RGB SR-21A1 (ANGLE TYPE)
△	SW801	5S40101146	SW POWER PUSH SS-160-7-B
	T401	50D10A3---	TRANS DRIVE TD-10A3
△	T402	50H0000202	FBT FUY20C001
△	T801	50M4042A5-	TRANS SMPS TSM-4042A5
	U101	4859719930	TUNER VARACTOR DT5-BF18D
	W101	4851900730	GROUND TUNER AS DS-W1015-S=350
	CC102	HCFK104ZCA	C CHIP CERA 50V Y5V 0.1MF Z 2012
	CC103	HCQK101JCA	C CHIP CERA 50V CH 100PF J 2012
	CC104	HCQK101JCA	C CHIP CERA 50V CH 100PF J 2012
	CC105	HCQK102JCA	C CHIP CERA 50V CH 1000PF J 2012
	CC108	HCFK104ZCA	C CHIP CERA 50V Y5V 0.1MF Z 2012
	CC109	HCFK104ZCA	C CHIP CERA 50V Y5V 0.1MF Z 2012
	CC118	HCBK104KCA	C CHIP CERA 50V X7R 0.1MF K 2012
	CC412	HCQK160JCA	C CHIP CERA 50V CH 16PF J 2012
	CC501	HCQK101JCA	C CHIP CERA 50V CH 100PF J 2012
	CC502	HCFK103ZCA	C CHIP CERA 50V Y5V 0.01MF Z 2012
	CC504	HCFK104ZCA	C CHIP CERA 50V Y5V 0.1MF Z 2012
	CC505	HCBK222KCA	C CHIP CERA 50V X7R 2200PF K 2012
	CC506	HCQK102JCA	C CHIP CERA 50V CH 1000PF J 2012
	CC508	HCBK472KCA	C CHIP CERA 50V X7R 4700PF K 2012
	CC509	HCFK104ZCA	C CHIP CERA 50V Y5V 0.1MF Z 2012
	CC510	HCFK104ZCA	C CHIP CERA 50V Y5V 0.1MF Z 2012
	CC511	HCFK104ZCA	C CHIP CERA 50V Y5V 0.1MF Z 2012
	CC512	HCFK104ZCA	C CHIP CERA 50V Y5V 0.1MF Z 2012
	CC515	HCFK104ZCA	C CHIP CERA 50V Y5V 0.1MF Z 2012
	CC516	HCFK104ZCA	C CHIP CERA 50V Y5V 0.1MF Z 2012
	CC517	HCFK104ZCA	C CHIP CERA 50V Y5V 0.1MF Z 2012
	CC518	HCBK222KCA	C CHIP CERA 50V X7R 2200PF K 2012
	CC519	HCFK334ZCA	C CHIP CERA 50V Y5V 0.33MF Z 2012
	CC520	HCFK104ZCA	C CHIP CERA 50V Y5V 0.1MF Z 2012

△ Symbol No.	Part No.	Part Name	Description
CC521	HCBK472KCA	C CHIP CERA	50V X7R 4700PF K 2012
CC522	HCQK102JCA	C CHIP CERA	50V CH 1000PF J 2012
CC523	HCQK102JCA	C CHIP CERA	50V CH 1000PF J 2012
CC524	HCQK102JCA	C CHIP CERA	50V CH 1000PF J 2012
CC526	HCBK223KCA	C CHIP CERA	50V X7R 0.022MF K 2012
CC533	HCFK104ZCA	C CHIP CERA	50V Y5V 0.1MF Z 2012
CC534	HCQK300JCA	C CHIP CERA	50V CH 30PF J 2012
CC535	HCQK300JCA	C CHIP CERA	50V CH 30PF J 2012
CC536	HCQK300JCA	C CHIP CERA	50V CH 30PF J 2012
CC602	HCQK102JCA	C CHIP CERA	50V CH 1000PF J 2012
CC603	HCQK102JCA	C CHIP CERA	50V CH 1000PF J 2012
CC604	HCQK102JCA	C CHIP CERA	50V CH 1000PF J 2012
CC605	HCQK471JCA	C CHIP CERA	50V CH 470PF J 2012
CC606	HCQK471JCA	C CHIP CERA	50V CH 470PF J 2012
CC610	HCQK181JCA	C CHIP CERA	50V CH 180PF J 2012
CC612	HCFK104ZCA	C CHIP CERA	50V Y5V 0.1MF Z 2012
CC613	HCFK103ZCA	C CHIP CERA	50V Y5V 0.01MF Z 2012
CC701	HCFK104ZCA	C CHIP CERA	50V Y5V 0.1MF Z 2012
CC702	HCQK820JCA	C CHIP CERA	50V CH 82PF J 2012
CC705	HCBK472KCA	C CHIP CERA	50V X7R 4700PF K 2012
CC707	HCQK820JCA	C CHIP CERA	50V CH 82PF J 2012
CC708	HCBK472KCA	C CHIP CERA	50V X7R 4700PF K 2012
CC709	HCQK220JCA	C CHIP CERA	50V CH 22PF J 2012
CC713	HCBK222KCA	C CHIP CERA	50V X7R 2200PF K 2012
CC722	HCQK102JCA	C CHIP CERA	50V CH 1000PF J 2012
CC723	HCQK220JCA	C CHIP CERA	50V CH 22PF J 2012
CC801	HCFK104ZCA	C CHIP CERA	50V Y5V 0.1MF Z 2012
CC830	HCFK104ZCA	C CHIP CERA	50V Y5V 0.1MF Z 2012
CC841	HCFK103ZCA	C CHIP CERA	50V Y5V 0.01MF Z 2012
I501	1STV2238DQ	IC CHIP VIDEO	STV2238D
I701	1DW195DE50	IC CHIP MICOM	DW92195C7T-DE5 (ETR) (AV-14JT5EU)
I701	1DW195CR30	IC CHIP MICOM	DW92195C7T-CR3 (ETP) (AV-14JT5EBU)
JC001	HRFT000-CA	R CHIP	1/10 0 OHM 2012
JC002	HRFT000-CA	R CHIP	1/10 0 OHM 2012
JC003	HRFT000-CA	R CHIP	1/10 0 OHM 2012
JC004	HRFT000-CA	R CHIP	1/10 0 OHM 2012
JC005	HRFT000-CA	R CHIP	1/10 0 OHM 2012
JC006	HRFT000-CA	R CHIP	1/10 0 OHM 2012
JC008	HRFT000-CA	R CHIP	1/10 0 OHM 2012
JC009	HRFT000-CA	R CHIP	1/10 0 OHM 2012
JC011	HRFT000-CA	R CHIP	1/10 0 OHM 2012
JC012	HRFT000-CA	R CHIP	1/10 0 OHM 2012
JC013	HRFT000-CA	R CHIP	1/10 0 OHM 2012
JC014	HRFT000-CA	R CHIP	1/10 0 OHM 2012
JC015	HRFT000-CA	R CHIP	1/10 0 OHM 2012
JC016	HRFT000-CA	R CHIP	1/10 0 OHM 2012
JC017	HRFT000-CA	R CHIP	1/10 0 OHM 2012
JC018	HRFT000-CA	R CHIP	1/10 0 OHM 2012
JC019	HRFT000-CA	R CHIP	1/10 0 OHM 2012
JC020	HRFT000-CA	R CHIP	1/10 0 OHM 2012
JC022	HRFT000-CA	R CHIP	1/10 0 OHM 2012
JC024	HRFT000-CA	R CHIP	1/10 0 OHM 2012
JC025	HRFT000-CA	R CHIP	1/10 0 OHM 2012
RC106	HRFT682JCA	R CHIP	1/10 6.8K OHM J 2012
RC107	HRFT473JCA	R CHIP	1/10 47K OHM J 2012
RC111	HRFT511JCA	R CHIP	1/10 510 OHM J 2012
RC114	HRFT432JCA	R CHIP	1/10 4.3K OHM J 2012
RC115	HRFT102JCA	R CHIP	1/10 1K OHM J 2012
RC301	HRFT361JCA	R CHIP	1/10 360 OHM J 2012
RC302	HRFT242JCA	R CHIP	1/10 2.4K OHM J 2012
RC303	HRFT562JCA	R CHIP	1/10 5.6K OHM J 2012
RC304	HRFT272JCA	R CHIP	1/10 2.7K OHM J 2012
RC306	HRFT472JCA	R CHIP	1/10 4.7K OHM J 2012
RC307	HRFT562JCA	R CHIP	1/10 5.6K OHM J 2012
RC308	HRFT332JCA	R CHIP	1/10 3.3K OHM J 2012
RC309	HRFT154JCA	R CHIP	1/10 150K OHM J 2012
RC310	HRFT103JCA	R CHIP	1/10 10K OHM J 2012
RC313	HRFT224JCA	R CHIP	1/10 220K OHM J 2012
RC404	HRFT561JCA	R CHIP	1/10 560 OHM J 2012
RC405	HRFT362JCA	R CHIP	1/10 3.6K OHM J 2012
RC408	HRFT103JCA	R CHIP	1/10 10K OHM J 2012
RC419	HRFT152JCA	R CHIP	1/10 1.5K OHM J 2012
RC420	HRFT394JCA	R CHIP	1/10 390K OHM J 2012
RC501	HRFT750JCA	R CHIP	1/10 75 OHM J 2012
RC503	HRFT750JCA	R CHIP	1/10 75 OHM J 2012
RC504	HRFT750JCA	R CHIP	1/10 75 OHM J 2012
RC505	HRFT750JCA	R CHIP	1/10 75 OHM J 2012
RC506	HRFT101JCA	R CHIP	1/10 100 OHM J 2012
RC507	HRFT103JCA	R CHIP	1/10 10K OHM J 2012
RC508	HRFT473JCA	R CHIP	1/10 47K OHM J 2012
RC509	HRFT102JCA	R CHIP	1/10 1K OHM J 2012
RC510	HRFT102JCA	R CHIP	1/10 1K OHM J 2012
RC511	HRFT470JCA	R CHIP	1/10 47 OHM J 2012
RC512	HRFT223JCA	R CHIP	1/10 22K OHM J 2012
RC513	HRFT103JCA	R CHIP	1/10 10K OHM J 2012
RC514	HRFT151JCA	R CHIP	1/10 150 OHM J 2012
RC515	HRFT000-CA	R CHIP	1/10 0 OHM 2012
RC516	HRFT102JCA	R CHIP	1/10 1K OHM J 2012
RC517	HRFT102JCA	R CHIP	1/10 1K OHM J 2012
RC518	HRFT101JCA	R CHIP	1/10 100 OHM J 2012
RC519	HRFT101JCA	R CHIP	1/10 100 OHM J 2012
RC520	HRFT103JCA	R CHIP	1/10 10K OHM J 2012

△ Symbol	No.	Part No.	Part Name	Description
	RC521	HRFT363JCA	R CHIP	1/10 36K OHM J 2012
	RC522	HRFT222JCA	R CHIP	1/10 2.2K OHM J 2012
	RC523	HRFT822JCA	R CHIP	1/10 8.2K OHM J 2012
	RC524	HRFT103JCA	R CHIP	1/10 10K OHM J 2012
	RC525	HRFT153JCA	R CHIP	1/10 15K OHM J 2012
	RC526	HRFT273JCA	R CHIP	1/10 27K OHM J 2012
	RC527	HRFT473JCA	R CHIP	1/10 47K OHM J 2012
	RC528	HRFT221JCA	R CHIP	1/10 220 OHM J 2012
	RC529	HRFT271JCA	R CHIP	1/10 270 OHM J 2012
	RC530	HRFT271JCA	R CHIP	1/10 270 OHM J 2012
	RC531	HRFT271JCA	R CHIP	1/10 270 OHM J 2012
	RC532	HRFT273JCA	R CHIP	1/10 27K OHM J 2012
	RC534	HRFT334JCA	R CHIP	1/10 330K OHM J 2012
	RC535	HRFT184JCA	R CHIP	1/10 180K OHM J 2012
	RC537	HRFT103JCA	R CHIP	1/10 10K OHM J 2012
	RC538	HRFT223JCA	R CHIP	1/10 22K OHM J 2012
	RC539	HRFT122JCA	R CHIP	1/10 1.2K OHM J 2012
	RC541	HRFT222JCA	R CHIP	1/10 2.2K OHM J 2012
	RC542	HRFT222JCA	R CHIP	1/10 2.2K OHM J 2012
	RC543	HRFT222JCA	R CHIP	1/10 2.2K OHM J 2012
	RC553	HRFT102JCA	R CHIP	1/10 1K OHM J 2012
	RC555	HRFT101JCA	R CHIP	1/10 100 OHM J 2012
	RC560	HRFT472JCA	R CHIP	1/10 4.7K OHM J 2012
	RC605	HRFT153JCA	R CHIP	1/10 15K OHM J 2012
	RC606	HRFT153JCA	R CHIP	1/10 15K OHM J 2012
	RC610	HRFT102JCA	R CHIP	1/10 1K OHM J 2012
	RC611	HRFT152JCA	R CHIP	1/10 1.5K OHM J 2012
	RC620	HRFT101JCA	R CHIP	1/10 100 OHM J 2012
	RC621	HRFT104JCA	R CHIP	1/10 100K OHM J 2012
	RC623	HRFT103JCA	R CHIP	1/10 10K OHM J 2012
	RC630	HRFT102JCA	R CHIP	1/10 1K OHM J 2012
	RC702	HRFT102JCA	R CHIP	1/10 1K OHM J 2012
	RC703	HRFT102JCA	R CHIP	1/10 1K OHM J 2012
	RC704	HRFT562JCA	R CHIP	1/10 5.6K OHM J 2012
	RC705	HRFT153JCA	R CHIP	1/10 15K OHM J 2012
	RC706	HRFT562JCA	R CHIP	1/10 5.6K OHM J 2012
	RC707	HRFT101JCA	R CHIP	1/10 100 OHM J 2012
	RC708	HRFT102JCA	R CHIP	1/10 1K OHM J 2012
	RC709	HRFT222JCA	R CHIP	1/10 2.2K OHM J 2012
	RC710	HRFT222JCA	R CHIP	1/10 2.2K OHM J 2012
	RC711	HRFT222JCA	R CHIP	1/10 2.2K OHM J 2012
	RC712	HRFT101JCA	R CHIP	1/10 100 OHM J 2012
	RC713	HRFT101JCA	R CHIP	1/10 100 OHM J 2012
	RC714	HRFT102JCA	R CHIP	1/10 1K OHM J 2012
	RC715	HRFT152JCA	R CHIP	1/10 1.5K OHM J 2012
	RC716	HRFT392JCA	R CHIP	1/10 3.9K OHM J 2012
	RC717	HRFT153JCA	R CHIP	1/10 15K OHM J 2012
	RC719	HRFT332JCA	R CHIP	1/10 3.3K OHM J 2012
	RC720	HRFT271JCA	R CHIP	1/10 270 OHM J 2012
	RC721	HRFT102JCA	R CHIP	1/10 1K OHM J 2012
	RC722	HRFT332JCA	R CHIP	1/10 3.3K OHM J 2012
	RC723	HRFT624JCA	R CHIP	1/10 620K OHM J 2012
	RC725	HRFT471JCA	R CHIP	1/10 470 OHM J 2012
	RC726	HRFT103JCA	R CHIP	1/10 10K OHM J 2012
	RC727	HRFT103JCA	R CHIP	1/10 10K OHM J 2012
	RC729	HRFT101JCA	R CHIP	1/10 100 OHM J 2012
	RC730	HRFT332JCA	R CHIP	1/10 3.3K OHM J 2012
	RC731	HRFT100JCA	R CHIP	1/10 10 OHM J 2012
	RC732	HRFT000-CA	R CHIP	1/10 0 OHM 2012
	RC733	HRFT101JCA	R CHIP	1/10 100 OHM J 2012
	RC736	HRFT102JCA	R CHIP	1/10 1K OHM J 2012
	RC738	HRFT101JCA	R CHIP	1/10 100 OHM J 2012
	RC751	HRFT103JCA	R CHIP	1/10 10K OHM J 2012
	RC752	HRFT682JCA	R CHIP	1/10 6.8K OHM J 2012
	RC754	HRFT333JCA	R CHIP	1/10 33K OHM J 2012
	RC755	HRFT473JCA	R CHIP	1/10 47K OHM J 2012
	RC822	HRFT134JCA	R CHIP	1/10 130K OHM J 2012
	RC828	HRFT102JCA	R CHIP	1/10 1K OHM J 2012
	RC829	HRFT102JCA	R CHIP	1/10 1K OHM J 2012
	RC901	HRFT272JCA	R CHIP	1/10 2.7K OHM J 2012
	RC902	HRFT302JCA	R CHIP	1/10 3K OHM J 2012
	RC903	HRFT302JCA	R CHIP	1/10 3K OHM J 2012
	RC904	HRFT302JCA	R CHIP	1/10 3K OHM J 2012
	RC905	HRFT272JCA	R CHIP	1/10 2.7K OHM J 2012
	RC906	HRFT272JCA	R CHIP	1/10 2.7K OHM J 2012
	RC907	HRFT272JCA	R CHIP	1/10 2.7K OHM J 2012
	C101	CEXF1H109V	C ELECTRO	50V R55 1MF (5X11) TP
	C102	CEXF1H479V	C ELECTRO	50V R55 4.7MF (5*11) TP
	C302	CCXB3A471K	C CERA	1KV B 470PF K (T)
	C304	CEXF1H220V	C ELECTRO	50V R55 22MF (5X11) TP
	C306	CEXF1V101C	C ELECTRO	35V RUS 100MF (8X11.5) TP
	C307	CMXM2A224J	C MYLAR	100V 0.22MF J BULK
	C313	CEXF1H109V	C ELECTRO	50V R55 1MF (5X11) TP
	C402	CEXF2C109C	C ELECTRO	160V RUS 1MF (6.3*11)TP
	C406	CCXB2H102K	C CERA	500V B 1000PF K (TAPPING)
	C410	CMXM2A104J	C MYLAR	100V 0.1MF J TP
	C420	CEXF1C470V	C ELECTRO	16V R55 47MF (5X11) TP
	C501	CEXF1H478V	C ELECTRO	50V R55 0.47MF (5X11) TP
	C502	CEXF1H109V	C ELECTRO	50V R55 1MF (5X11) TP
	C503	CEXF1C470V	C ELECTRO	16V R55 47MF (5X11) TP
	C504	CEXD1H229F	C ELECTRO	50V RND 2.2MF (5X11) TP
	C506	CEXD1H229F	C ELECTRO	50V RND 2.2MF (5X11) TP

△ Symbol No.	Part No.	Part Name	Description
C507	CEXF1C101V	C ELECTRO	16V RSS 100MF (6.3X11) TP
C511	CEXF1C470V	C ELECTRO	16V RSS 47MF (5X11) TP
C512	CEXF1H109V	C ELECTRO	50V RSS 1MF (5X11) TP
C513	CEXF1H100V	C ELECTRO	50V RSS 10MF (5X11) TP
C514	CEXF1H109V	C ELECTRO	50V RSS 1MF (5X11) TP
C515	CEXF1H109V	C ELECTRO	50V RSS 1MF (5X11) TP
C516	CEXF1H109V	C ELECTRO	50V RSS 1MF (5X11) TP
C517	CEXF1H109V	C ELECTRO	50V RSS 1MF (5X11) TP
C520	CEXF1C470V	C ELECTRO	16V RSS 47MF (5X11) TP
C522	CEXF1C470V	C ELECTRO	16V RSS 47MF (5X11) TP
C523	CEXF1H109V	C ELECTRO	50V RSS 1MF (5X11) TP
C524	CEXF1H109V	C ELECTRO	50V RSS 1MF (5X11) TP
C601	CEXF1C470V	C ELECTRO	16V RSS 47MF (5X11) TP
C602	CEXF1H108A	C ELECTRO	50V RSM 0.1MF 4X7
C606	CEXF1C101V	C ELECTRO	16V RSS 100MF (6.3X11) TP
C611	CEXF1C470V	C ELECTRO	16V RSS 47MF (5X11) TP
C620	CEXF1H100V	C ELECTRO	50V RSS 10MF (5X11) TP
C702	CEXF1H109V	C ELECTRO	50V RSS 1MF (5X11) TP
C703	CEXF1C470V	C ELECTRO	16V RSS 47MF (5X11) TP
C706	CEXF1H478V	C ELECTRO	50V RSS 0.47MF (5X11) TP
C803	CCXF3A472Z	C CERA	1KV F 4700PF Z (T)
C804	CCXF3A472Z	C CERA	1KV F 4700PF Z (T)
C816	CCXB3A471K	C CERA	1KV B 470PF K (T)
C819	CEXF2A100V	C ELECTRO	100V RSS 10MF (6.3X11) TP
C822	CEXF1C101V	C ELECTRO	16V RSS 100MF (6.3X11) TP
C823	CCXB3A471K	C CERA	1KV B 470PF K (T)
C824	CCXB3A471K	C CERA	1KV B 470PF K (T)
C825	CEXF1H220V	C ELECTRO	50V RSS 22MF (5X11) TP
C826	CEXF1H479V	C ELECTRO	50V RSS 4.7MF (5*11) TP
C828	CEXF1C101V	C ELECTRO	16V RSS 100MF (6.3X11) TP
C829	CEXF1H100V	C ELECTRO	50V RSS 10MF (5X11) TP
C842	CCXB3A102K	C CERA	1KV B 1000PF K (TAPPING)
C850	CEXF1C470V	C ELECTRO	16V RSS 47MF (5X11) TP
C902	CMXL2E104K	C MYLAR	250V 0.1MF K MEU TP
C905	CMXL2E104K	C MYLAR	250V 0.1MF K MEU TP
F801A	4857415001	CLIP FUSE	PFC5000-0702
F801B	4857415001	CLIP FUSE	PFC5000-0702
Q105	T2SC5343Y-	TR	2SC5343Y
Q401	TKTC3207--	TR	KTC3207
Q501	T2SC5343Y-	TR	2SC5343Y
Q502	T2SC5343Y-	TR	2SC5343Y
Q503	TSTA933Y--	TR	STA933-Y
Q505	TSTA933Y--	TR	STA933-Y
Q506	T2SC5343Y-	TR	2SC5343Y
Q601	T2SC5343Y-	TR	2SC5343Y
Q620	TSTA933Y--	TR	STA933-Y
Q701	TSTA933Y--	TR	STA933-Y
Q702	T2SC5343Y-	TR	2SC5343Y
Q703	T2SC5343Y-	TR	2SC5343Y
Q704	T2SC5343Y-	TR	2SC5343Y
Q705	T2SC5343Y-	TR	2SC5343Y
Q710	T2SC5343Y-	TR	2SC5343Y
Q802	TKSA1013Y-	TR	KSA1013Y
△ R302	RN02B229JS	R METAL FILM	2W 2.2 OHM J SMALL
R303	RN02B271JS	R METAL FILM	2W 270 OHM J SMALL
R307	RN02B181JS	R METAL FILM	2W 180 OHM J SMALL
R308	RN02B181JS	R METAL FILM	2W 180 OHM J SMALL
R309	RN02B181JS	R METAL FILM	2W 180 OHM J SMALL
R310	RN02B181JS	R METAL FILM	2W 180 OHM J SMALL
R410	RN02B132JS	R METAL FILM	2W 1.3K OHM J SMALL
R503	RN01B300JS	R METAL FILM	1W 30 OHM J SMALL
△ R850	RN02B180JS	R METAL FILM	2W 18 OHM J SMALL
R901	RN01B124JS	R METAL FILM	1W 120K OHM J SMALL
R902	RN01B124JS	R METAL FILM	1W 120K OHM J SMALL
R903	RN01B124JS	R METAL FILM	1W 120K OHM J SMALL
SW701	5S50101090	SW TACT	SKHV17910A
SW702	5S50101090	SW TACT	SKHV17910A
SW703	5S50101090	SW TACT	SKHV17910A
SW704	5S50101090	SW TACT	SKHV17910A
SW705	5S50101090	SW TACT	SKHV17910A
X501	5XEX4R433B	CRYSTAL QUARTZ	HC-49U 4.43361M 15PPM TP
X502	5XEX3R579B	CRYSTAL QUARTZ	HC-49U 3.57954M 15PPM TP
X701	5XEX4R000C	CRYSTAL QUARTZ	HC-49U 4.0000MHZ 20PPM TA
D101	D1N4148---	DIODE	1N4148 (TAPPING)
D103	D1S585TA--	DIODE	1S585TA
D105	DUZ33B----	DIODE ZENER	UZ-33B
D106	D1N4148---	DIODE	1N4148 (TAPPING)
D107	DTZX5V1B--	DIODE ZENER	TZX5V1B (TAPPING)
D301	NBYD33GT--	DIODE	BYD33G-T
D302	DBZX55C62-	DIODE ZENER	BZX55C62
D303	NBYD33GT--	DIODE	BYD33G-T
D304	85801065GY	WIRE COPPER	AWG22 1/0.65 TIN COATING
D402	NBYD33GT--	DIODE	BYD33G-T
D403	NBYD33GT--	DIODE	BYD33G-T
D410	DTZX5V1B--	DIODE ZENER	TZX5V1B (TAPPING)
D450	D1N4148---	DIODE	1N4148 (TAPPING)
D452	D1N4148---	DIODE	1N4148 (TAPPING)
D501	DTZX5V6B--	DIODE ZENER	TZX5V6B (TAPPING)
D502	DTZX5V6B--	DIODE ZENER	TZX5V6B (TAPPING)
D503	DTZX5V6B--	DIODE ZENER	TZX5V6B (TAPPING)
D504	DTZX5V6B--	DIODE ZENER	TZX5V6B (TAPPING)
D505	DTZX5V6B--	DIODE ZENER	TZX5V6B (TAPPING)

△ Symbol No.	Part No.	Part Name	Description
D506	DTZX5V6B--	DIODE ZENER	TZX5V6B (TAPPING)
D507	DTZX5V6B--	DIODE ZENER	TZX5V6B (TAPPING)
D508	D1N4148---	DIODE	1N4148 (TAPPING)
D509	D1N4148---	DIODE	1N4148 (TAPPING)
D510	DTZX5V1B--	DIODE ZENER	TZX5V1B (TAPPING)
D512	D1N4148---	DIODE	1N4148 (TAPPING)
D513	D1N4148---	DIODE	1N4148 (TAPPING)
D514	D1N4148---	DIODE	1N4148 (TAPPING)
D602	DTZX5V6B--	DIODE ZENER	TZX5V6B (TAPPING)
D610	D1N4148---	DIODE	1N4148 (TAPPING)
D620	D1N4148---	DIODE	1N4148 (TAPPING)
D701	DTZX3V9B--	DIODE ZENER	TZX3V9B
D704	85801065GY	WIRE COPPER	AWG22 1/0.65 TIN COATING
D720	D1N4148---	DIODE	1N4148 (TAPPING)
D808	DBYW34----	DIODE	BYW34 (TAPPING)
D810	DBYW34----	DIODE	BYW34 (TAPPING)
D812	DBYW34----	DIODE	BYW34 (TAPPING)
D816	DTZX3V9B--	DIODE ZENER	TZX3V9B
D820	D1N4148---	DIODE	1N4148 (TAPPING)
D835	DR2M-----	DIODE ZENER	R2M
D837	DLT2A05G--	DIODE	LT2A05G
D838	DLT2A05G--	DIODE	LT2A05G
D839	DLT2A05G--	DIODE	LT2A05G
D840	DLT2A05G--	DIODE	LT2A05G
J046	RD-4Z101J-	R CARBON FILM	1/4 100 OHM J
L301	5CPZ100K04	COIL PEAKING	10UH 10.5MM K (LAL04TB)
L511	5CPZ100K02	COIL PEAKING	10UH 3.5MM K(LAL02TB)
L601	5CPZ109M02	COIL PEAKING	1UH 3.5MM M(LAL02TB)
L602	5CPZ109M02	COIL PEAKING	1UH 3.5MM M(LAL02TB)
L603	85801065GY	WIRE COPPER	AWG22 1/0.65 TIN COATING
L604	5CPZ109M02	COIL PEAKING	1UH 3.5MM M(LAL02TB)
L606	85801065GY	WIRE COPPER	AWG22 1/0.65 TIN COATING
L701	5CPZ100K02	COIL PEAKING	10UH 3.5MM K(LAL02TB)
L702	5CPZ569K02	COIL PEAKING	5.6UH 3.5MM K (LAL02TB)
L802	5MC0000100	COIL BEAD	MD-5 (HC-3550)
L803	5MC0000100	COIL BEAD	MD-5 (HC-3550)
L806	5CPZ390K04	COIL PEAKING	39UH 10.5MM K (LAL04TB)
R101	RD-4Z242J-	R CARBON FILM	1/4 2.4K OHM J
R109	RD-4Z183J-	R CARBON FILM	1/4 18K OHM J
R110	RD-4Z102J-	R CARBON FILM	1/4 1K OHM J
R111	RD-4Z101J-	R CARBON FILM	1/4 100 OHM J
R120	RD-4Z101J-	R CARBON FILM	1/4 100 OHM J
R301	RD-2Z249J-	R CARBON FILM	1/2 2.4 OHM J
R406	RD-2Z472J-	R CARBON FILM	1/2 4.7K OHM J
R407	RD-4Z102J-	R CARBON FILM	1/4 1K OHM J
R408	RD-4Z102J-	R CARBON FILM	1/4 1K OHM J
R409	RD-4Z561J-	R CARBON FILM	1/4 560 OHM J
R501	RD-4Z101J-	R CARBON FILM	1/4 100 OHM J
R502	RD-4Z101J-	R CARBON FILM	1/4 100 OHM J
R512	RD-4Z750J-	R CARBON FILM	1/4 75 OHM J
R521	RD-4Z101J-	R CARBON FILM	1/4 100 OHM J
R525	RD-4Z104J-	R CARBON FILM	1/4 100K OHM J
R526	RD-4Z102J-	R CARBON FILM	1/4 1K OHM J
R532	RD-4Z101J-	R CARBON FILM	1/4 100 OHM J
R601	RD-2Z102J-	R CARBON FILM	1/2 1K OHM J
R602	RD-4Z471J-	R CARBON FILM	1/4 470 OHM J
R611	RD-4Z362J-	R CARBON FILM	1/4 3.6K OHM J
R715	RD-4Z102J-	R CARBON FILM	1/4 1K OHM J
R723	RD-4Z332J-	R CARBON FILM	1/4 3.3K OHM J
R735	RD-4Z103J-	R CARBON FILM	1/4 10K OHM J
R736	RD-4Z224J-	R CARBON FILM	1/4 220K OHM J
R753	RD-4Z473J-	R CARBON FILM	1/4 47K OHM J
R803	RD-4Z514J-	R CARBON FILM	1/4 510K OHM J
R804	RD-4Z514J-	R CARBON FILM	1/4 510K OHM J
R805	85801065GY	WIRE COPPER	AWG22 1/0.65 TIN COATING
R806	RD-4Z363J-	R CARBON FILM	1/4 36K OHM J
R809	RD-4Z103J-	R CARBON FILM	1/4 10K OHM J
R810	RD-4Z333J-	R CARBON FILM	1/4 33K OHM J
△ R812	RC-2Z825KP	R CARBON COMP	1/2 8.2M OHM K
R823	RD-4Z101J-	R CARBON FILM	1/4 100 OHM J
R824	RD-4Z101J-	R CARBON FILM	1/4 100 OHM J
R834	RD-4Z392J-	R CARBON FILM	1/4 3.9K OHM J
△ R890	RC-2Z335KP	R CARBON COMP	1/2 3.3M OHM K
R910	RC-2Z152K-	R CARBON COMP	1/2 1.5K OHM K
R911	RC-2Z152K-	R CARBON COMP	1/2 1.5K OHM K
R912	RC-2Z152K-	R CARBON COMP	1/2 1.5K OHM K

AV-21JT5EU AV-21JT5EBU
AV-14JT5EU AV-14JT5EBU

Memo

Memo



JVC

VICTOR COMPANY OF JAPAN, LIMITED

TELEVISION RECEIVER DIVISION 1106 Heta, Iwai-city, Ibaraki-prefecture, 306-0698, Japan



Printed in Japan
VP 0005
DP105251